



ProSeries[®] *384e/768e*

High Resolution InkJet Printing



Features and Benefits:



Enhanced Print Capabilities create darker and crisper high resolution print messages at faster speeds.

Smart Clean System features automated ink flush to remove environmental debris from nozzles, keeping print sharp and reducing maintenance downtime.

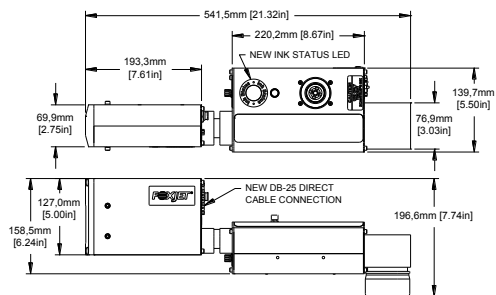
Low Ink Level Indicator Light visually notifies operators when ink needs to be refilled and waste bottle needs to be changed.

Reliable Printheads feature stainless steel faceplates and a repairable design, providing maximum total cost of ownership value.

Longest Inkjet Warranty in the industry – ask your distributor for details.

Dimensions: 384e Printhead

Enhanced for high speed barcode printing

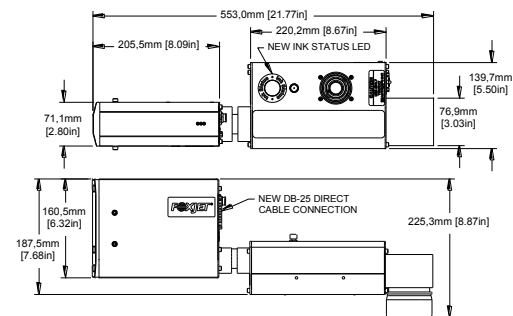


Printhead Specifications:

Print Height	Image area up to 2"
Print Orientation	Standard – Horizontal, Angled Optional – Modular Top-Down
Mounting Angle	90°
Orifices/Channels	384/128
Lines of Print	Up to 21 lines
Horizontal Resolution	Selectable up to 300dpi
Throw Distance	Up to 1/2" (12.7mm) for Text Up to 1/4" (6.4mm) for Barcodes
Operating Conditions	Temperature: 50° - 104° F (10° - 40° C); Relative Humidity: 20% - 80% (non-condensing)
Cable Lengths	2', 10', and 25'
Priming	Automatic Priming System
Ink Delivery	Dual Feed System
Sensors	Float Switch Low Ink Sensor and Full Waste Bottle Sensor Tied to Indicator Light on Printhead
Ink	ScanTrue®II – Black, Red, Blue; ScanTrue®II Plus – Black
Substrates	Formulated for Porous Surfaces
Applications	Formulated for High Contrast Barcodes, Logos, Graphics and Text Messages
Drying Time	Less than 1/4 Second on Porous Surfaces

Dimensions: 768e Printhead

Enhanced for complex graphic printing



Printhead Specifications:

Print Height	Image area up to 4"
Print Orientation	Standard – Horizontal, Angled Optional – Modular Top-Down
Mounting Angle	90°
Orifices/Channels	768/256
Lines of Print	Up to 42 lines
Horizontal Resolution	Selectable up to 300dpi
Throw Distance	Up to 1/2" (12.7mm) for Text Up to 1/4" (6.4mm) for Barcodes
Operating Conditions	Temperature: 50° - 104° F (10° - 40° C); Relative Humidity: 20% - 80% (non-condensing)
Cable Lengths	2', 10', and 25'
Priming	Automatic Priming System
Ink Delivery	Dual Feed System
Sensors	Float Switch Low Ink Sensor and Full Waste Bottle Sensor Tied to Indicator Light on Printhead
Ink	ScanTrue®II – Black, Red, Blue; ScanTrue®II Plus – Black
Substrates	Formulated for Porous Surfaces
Applications	Formulated for High Contrast Barcodes, Logos, Graphics and Text Messages
Drying Time	Less than 1/4 Second on Porous Surfaces